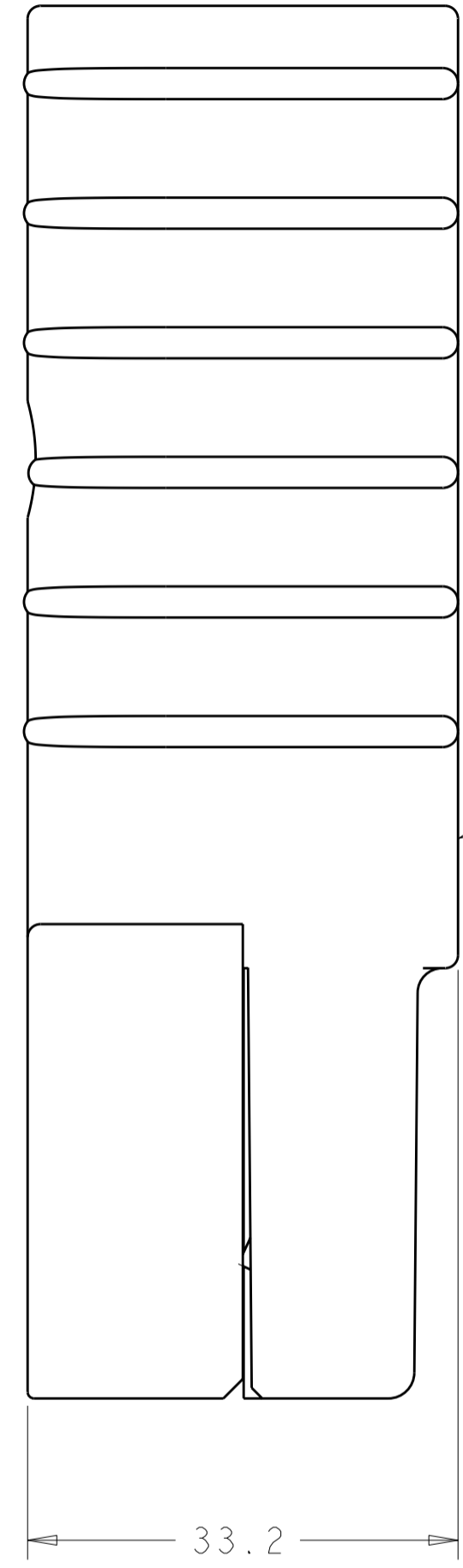
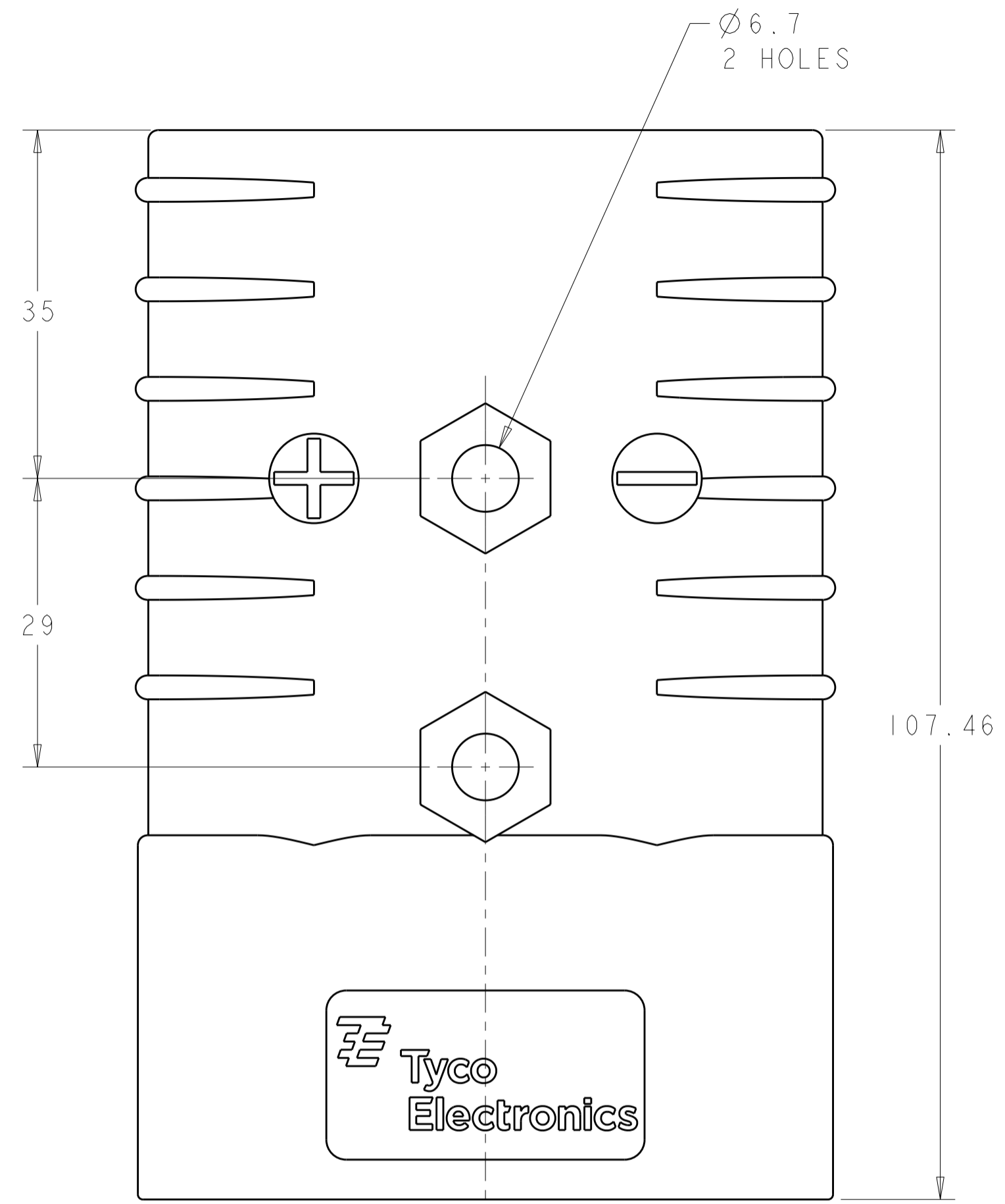
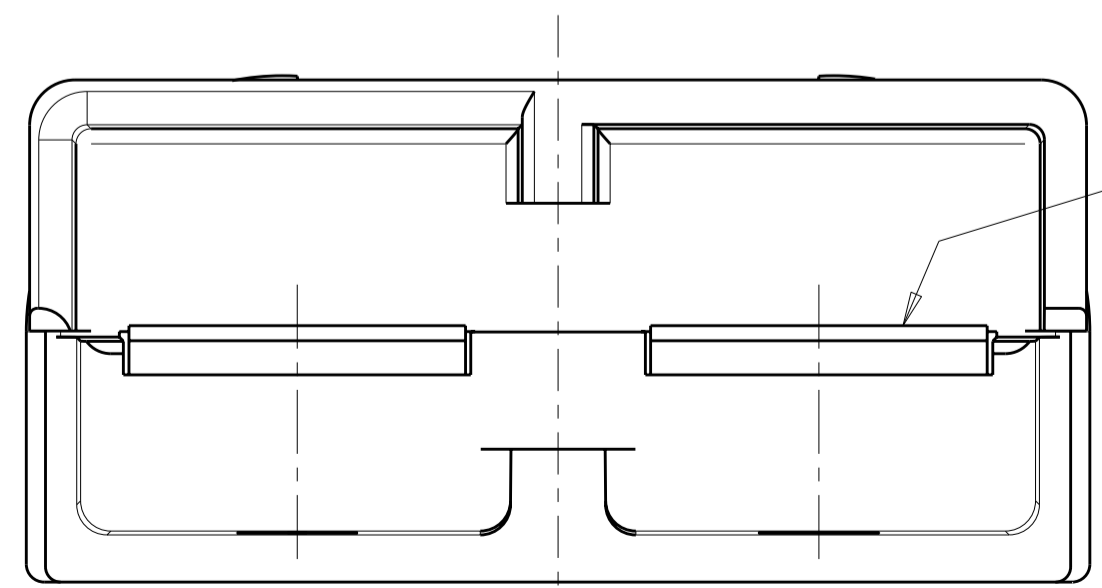


THIS DRAWING IS UNPUBLISHED. RELEASED FOR PUBLICATION 20  
© COPYRIGHT 20 BY TYCO ELECTRONICS CORPORATION. ALL RIGHTS RESERVED.

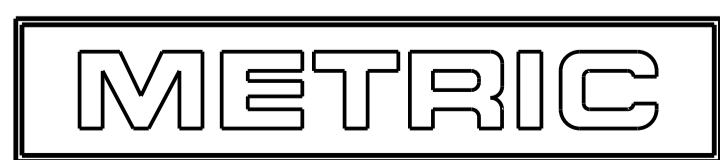
LOC	DIST	REVISIONS			
P	LTR	DESCRIPTION	DATE	DWN	APVD
CM	0				
	AI	REVISED PER ECR-10-010379	24MAY2010	HMR	JR



HOUSING  
MATL: FLAME RETARDANT  
POLYCARBONATE



GREEN	1604050-6
BLUE	1604050-5
GRAY	1604050-4
RED	1604050-3
ORANGE	1604050-2
YELLOW	1604050-1
HOUSING COLOR	ASSEMBLY PART NO



THIS DRAWING IS A CONTROLLED DOCUMENT FOR TYCO ELECTRONICS CORPORATION. IT IS SUBJECT TO CHANGE AND THE CONTROLLING ENGINEERING ORGANIZATION SHOULD BE CONTACTED FOR THE LATEST REVISION.

DIMENSIONS:	TOLERANCES UNLESS OTHERWISE SPECIFIED:	DWN	B. D. YOHN	8 JAN 2002	Tyco Electronics Harrisburg, PA 17105-3608	
mm	0 PLC $\pm 0.13$	CHK	W. BERNHART	8 APR 2002		
	1 PLC $\pm 0.13$	APVD	W. BERNHART	8 APR 2002		
	2 PLC $\pm 0.13$	PRODUCT SPEC				
	3 PLC $\pm 0.13$	APPLICATION SPEC			NAME	SUB-ASSY, HOUSING W/ SPRING, AMP POWER SERIES 350
	4 PLC $\pm$	WEIGHT			SIZE	A2
MATERIAL	FINISH	CUSTOMER DRAWING			CAGE CODE	00779
					DRAWING NO	1604050
					RESTRICTED TO	
					SCALE	2:1
					SHEET	1
					OF	1
					REV	AI